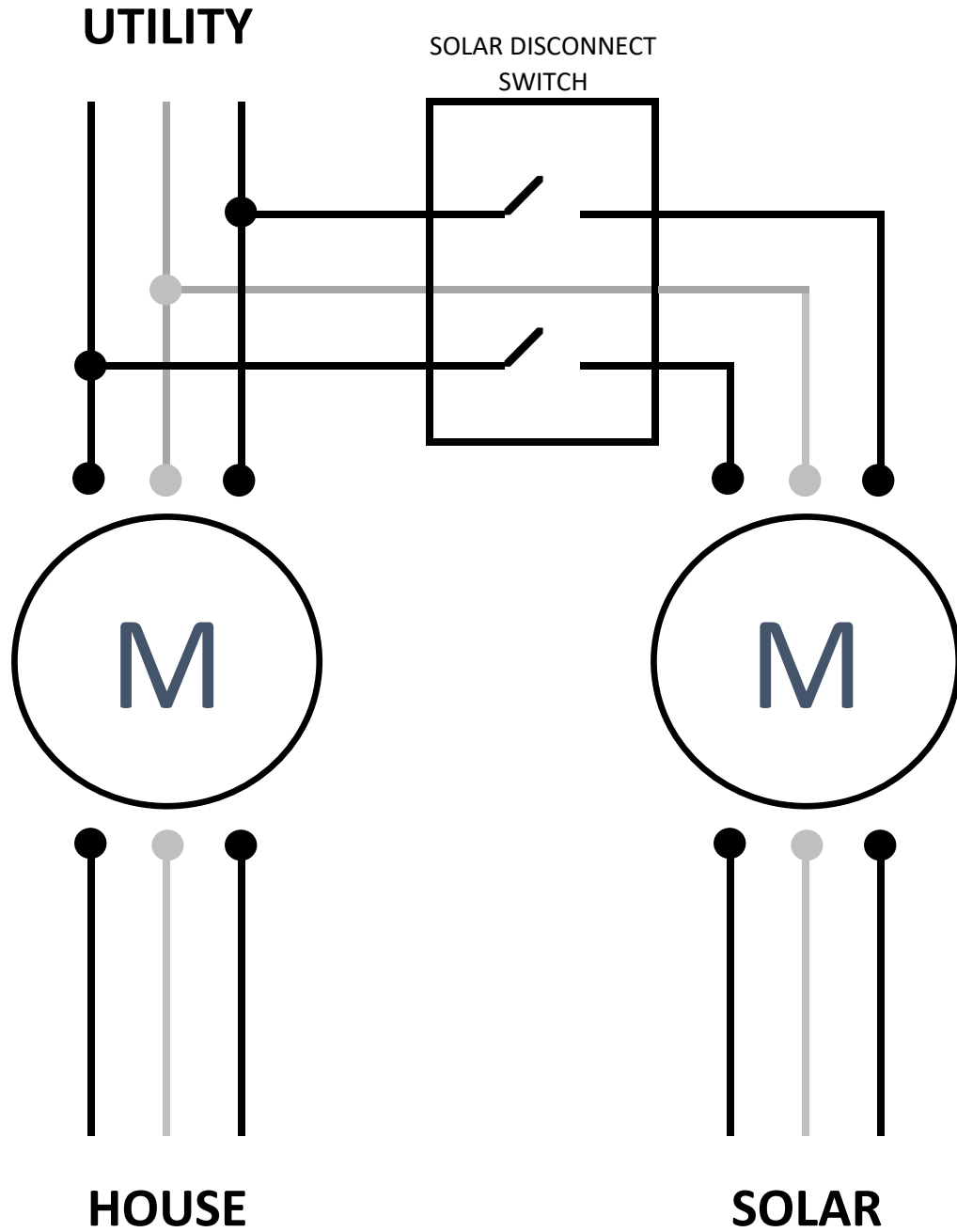


BLOCK ISLAND UTILITY DISTRICT SOLAR METER WIRING DIAGRAM



METER SOCKET(S) MUST BE GROUNDED TO EITHER TWO GROUND
RODS NO MORE THAN 6' APART OR TO THE PANEL GROUNDING
GRID, PER NEC.